



TOYO JIDOKI TT-15CW-10™
HIGH SPEED PRE-MADE POUCH FILLER/SEALER



Double pouch action machine

ABOUT MATRIX

Rugged, cost competitive, and easy-to-use, Matrix packaging systems include vertical form fill seal equipment for all types of flexible packaging, as well as INVPack stickpack and sachet machines, Toyo Jidoki pre-made pouch machines, and FLTecnics rollstock pouch machines. As part of the ProMach Flexibles business line, Matrix helps our packaging customers protect and grow the reputation and trust of their consumers. ProMach is performance, and the proof is in every package. Learn more about Matrix at www.MatrixPM.com and more about ProMach at ProMachBuilt.com.

FEATURES AND BENEFITS

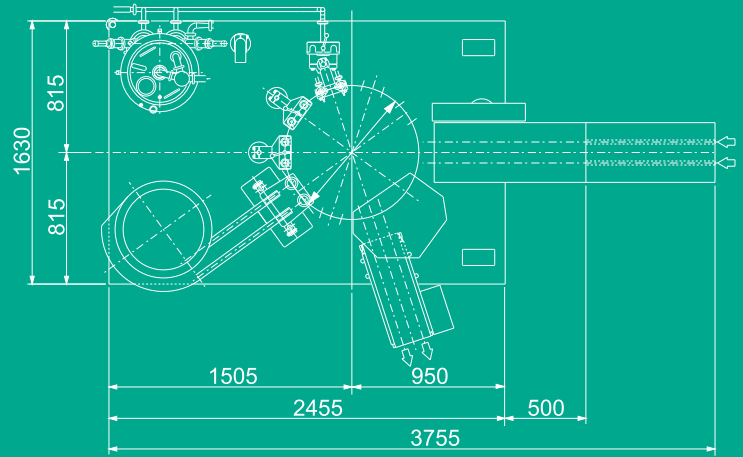
- Combines automated spout insertion with filling to increase efficiencies and lower packaging costs
- Easy-to-use pouch stock rail simply snaps in place to supply pouches, with optional pouch stockers also available
- Specially developed nozzle allows high speed filling through the spout to reduce pouch top seal contamination

TYPICAL PRODUCT SPECS

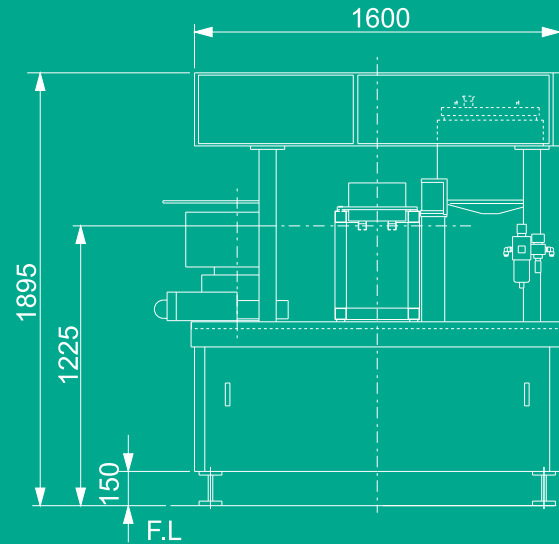
	TT-15CW-10
Capacity (Depending on product)	40-95 pouches/min.
Pouch Size	(W) 60-120 mm, (L) 110 - 250 mm
Pouch Style	Center spout stand-up, center spout gusset, center spout flat
Electric Power	Approx 15 kVA
Air Consumption	0.5 MPa, 700 NI/min (Standard)
Machine Dimensions	1,630 (W) x 3,755 (L) x 1,900 (H) mm
Machine Weight	3,800 kg
Accessories	Discharge conveyor, product counter, heater disconnection alarm, pouch opening detection device

CONFIGURATIONS

TOP



SIDE



	Station		Station
1	Pouch Stock Rail	6	Spout Drying
2	Ink Jet Printer (option)	7	Capping
3	Printing Inspection (option)	8	Capping Inspection (option)
4	Liquid Filling	9	Product Discharge
5	Spout Cleaning	10	Reject Station

