



TOYO JIDOKI TT-8D-N™
PRE-MADE POUCH FILLER/SEALER

Flexible packaging solution

ABOUT MATRIX

Rugged, cost competitive, and easy-to-use, Matrix packaging systems include vertical form fill seal equipment for all types of flexible packaging, as well as INVPack stickpack and sachet machines, Toyo Jidoki pre-made pouch machines, and FLTechnics rollstock pouch machines. As part of the ProMach Flexibles business line, Matrix helps our packaging customers protect and grow the reputation and trust of their consumers. ProMach is performance, and the proof is in every package. Learn more about Matrix at www.MatrixPM.com and more about ProMach at ProMachBuilt.com.

FEATURES AND BENEFITS

- Widely flexible for various pouch formats and product types
- Designed for safe and sanitary operation
- Easy cleaning, wash down design
- Simple, intuitive operation and maintenance using touch screen controls
- Optional zipper opening, nitrogen gas flush, liquid filling systems and other features



TYPICAL PRODUCT SPECS

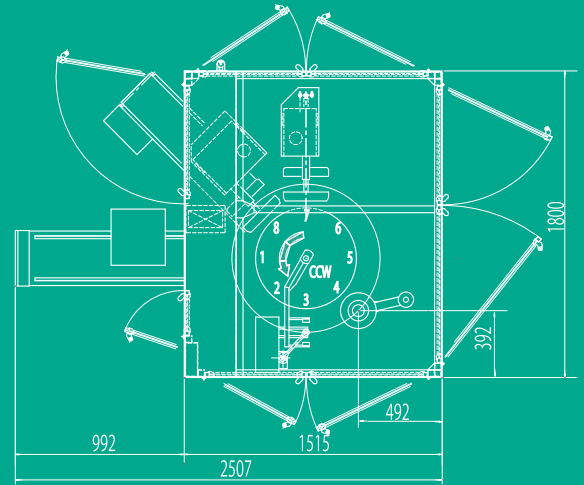
Capacity	55 pouches/min./max. (Depending on product)
Pouch Size	Width 120 -260 mm (80 - 220 mm) Length 130 - 400 mm
Pouch Material	Various laminated pouches, PE pouch
Pouch Style	Flat, Stand-up, Press-to-close
Sealing Method	1 heat seal and 1 cooling station
Electric Power	4.5 kw
Air Consumption	0.5 MPa (72 psi), 350 - 450 NI/min. (Depending on machine spec)
Machine Dimensions	1,800 (W) x 2,507 (L) x 2,040 (H) mm
Machine Weight	1,700 kg
Accessories	Product feeding hopper, product discharge conveyor, pouch opening follow-up guide, product counter heater, disconnection alarm, pouch opening detection device

OPTIONS

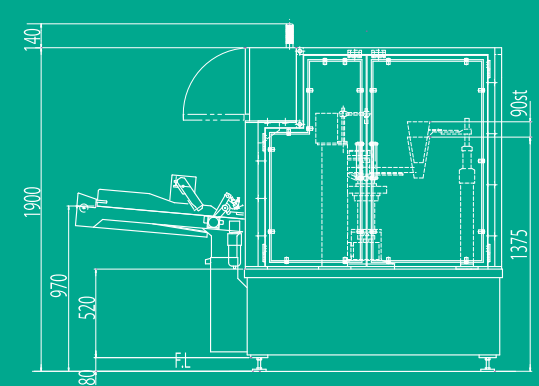
- Date printer
- Air squeeze device
- rapping
- Stand-up pouch bottom opening device
- N2 gas flush device
- Zip open-close device
- Fill pause mode
- Seal area cleaning
- Pouch recycle
- Double pouch detection
- Various filling devices
- Pouch pick-up position detection
- Product in-seal detection

CONFIGURATIONS

TOP



SIDE



Measurements in inches.



Conveyor Magazine - Stand-up and pouches with press-to-close.



Color Touch Screen - Simplified graphic panel for user-friendly operation and maintenance.

APPLICATIONS

- Frozen foods
- Seafood
- Snacks
- Rice & other grains
- Noodles
- Pet foods
- Granular & powder products
- Many others!