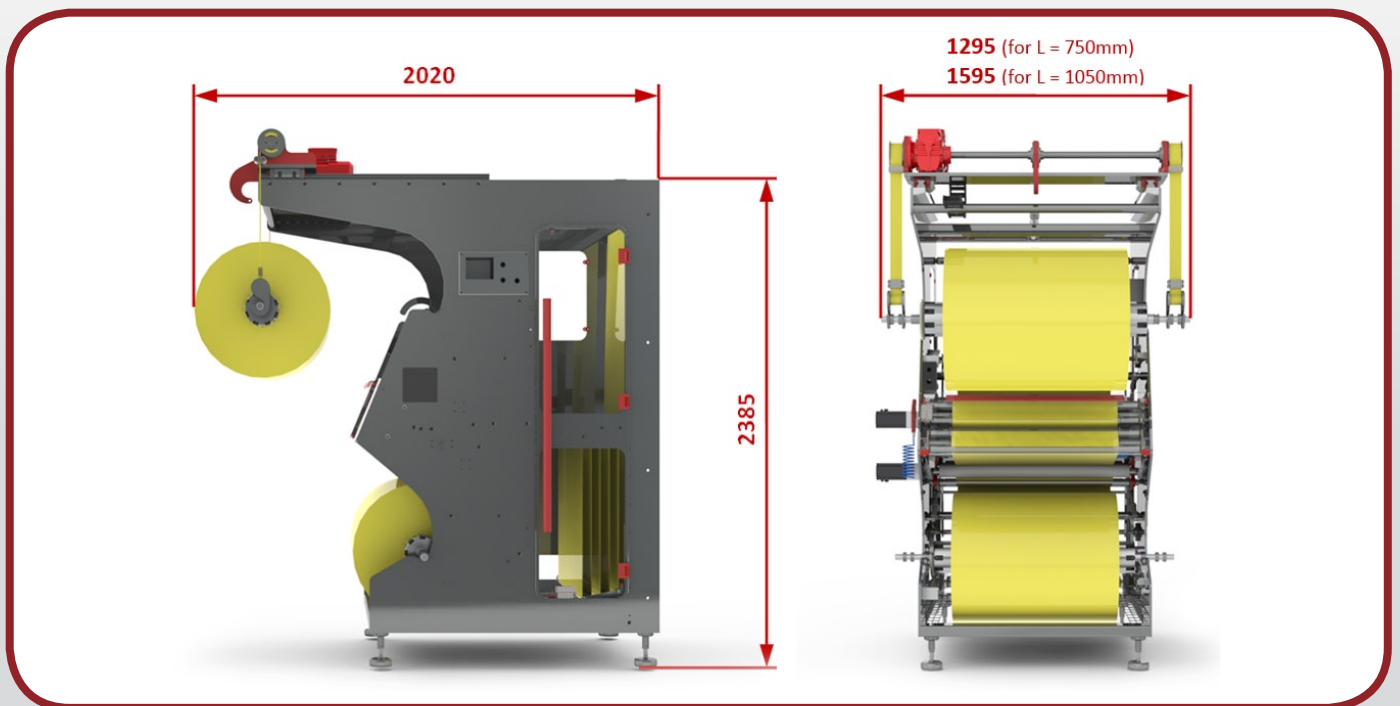
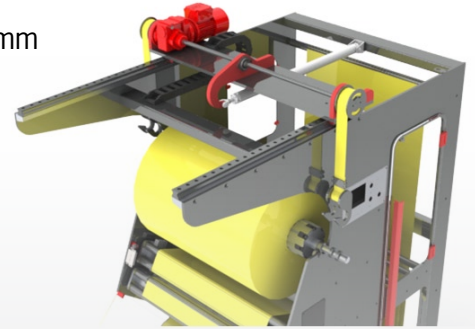


- ▶ **FL AutoSplice** is FLtècnics' automatic system to carry out film reel splicing. Specifically designed to optimize productivity, it removes machine stops and downtimes associated with reel replacement.
- ▶ Unique solution especially developed for horizontal form-fill-seal packaging machines (HFFS) and vertical form-fill-seal machines (VFFS).
- ▶ Splicing module fully independent, easy to install and operate. Ergonomic, robust and accessible design.
- ▶ Splicing position automatically registered. Distance and position between eye marks on film is maintained; the machine's processing cycle is not altered and the amount of pouches rejected is minimized (only 3 rejected pouches per splicing).
- ▶ The combination of its mechanisms along with the latest controlling technologies (servomotors – PLC – touch screen) give as a result the most advanced generation of automatic splicers.

Technical specification

- Film reel maximum dimensions: Ø600 mm; L = 750 mm / 1050 mm
- Film reel maximum weight: 350 kg
- Film reel shaft diameter: 70 mm / 75 mm / 150 mm
- Compressed air consumption: 15 liters/min (at 6 bar)
- Power consumption: 1.5 kW
- Electrical specifications: All configurations



Standard equipment

- 3.5" touch screen
- Control based on microprocessor
- Film feed driven by servo motor
- Auto-rotating splicing table
- Automatic splicing cycle
- Manual splicing cycle
- Control of film tension by constant pressure pneumatic valves
- Low film reel level photocell with visual indicator
- Two expandable, pneumatic film reel shafts
- (RAL 9007 color) steel main frame
- Transparent protections with safety guards

Optional equipment

- Automatic register of splicing position
- Integrated film reel lifter
- AISI 304 stainless steel main frame

