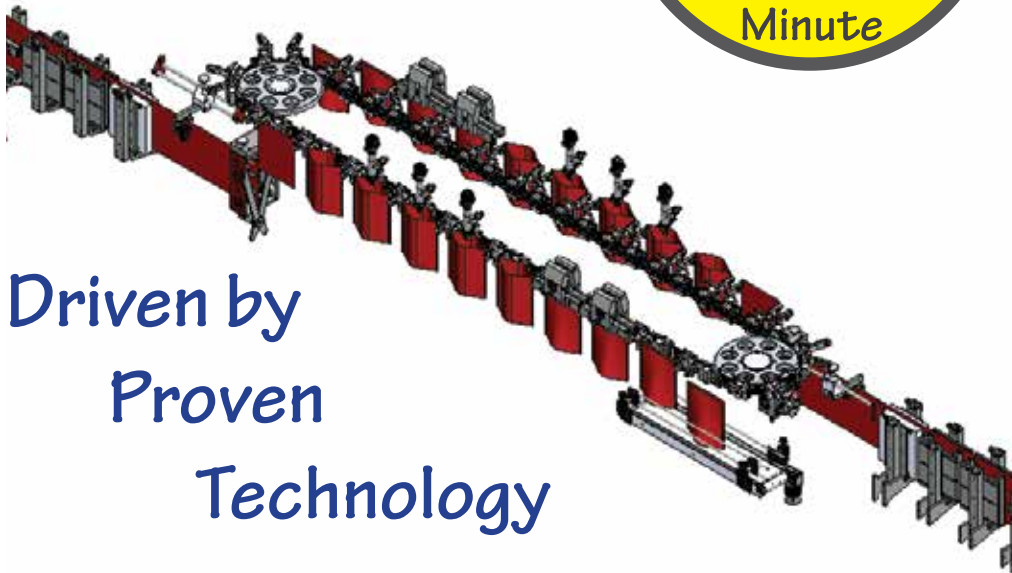
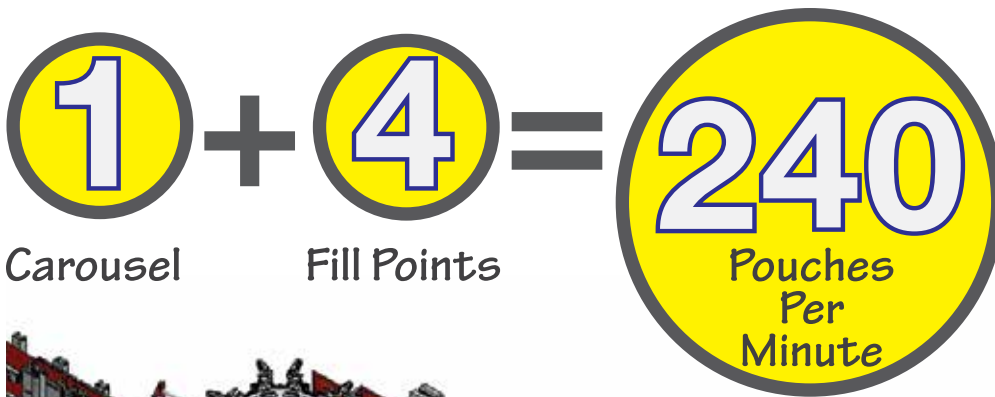


# Quadrousel



## New, Innovative Pouch Machine



Driven by  
Proven  
Technology

### Advantages

- Similar footprint as 120 ppm machines
- Allen Bradley PLC and HMI is standard
- Quicker format changeovers
- Automatic motorized sealer bars for menu driven pouch changes
- Automatic plow height adjustment in menu
- Integrated auto film splicer
- Best in industry warranty
- 3 year mechanical parts
- 1 year electrical components
- Spacious drive bay for easy maintenance
- Larger cam diameter for smoother machine movements
- Automatic zipper splicer

### Construction

- Made in stainless steel
- Thick, sanitary machine frame
- Ultra clean design
- Main plate 3/4" width
- Heavy built design to improve low vibration and increase stability
- Electrical box included on the main frame

High Speed Pouch  
Form/Fill/Seal



Pro Mach Flexible  
Packaging Group

650 Dekora Woods Blvd.  
Saukville, WI 53080

(888) 628-7491  
(262) 268-8300

Info@ProMachFlexible.com  
www.ProMachFlexible.com



powered by Pro Mach

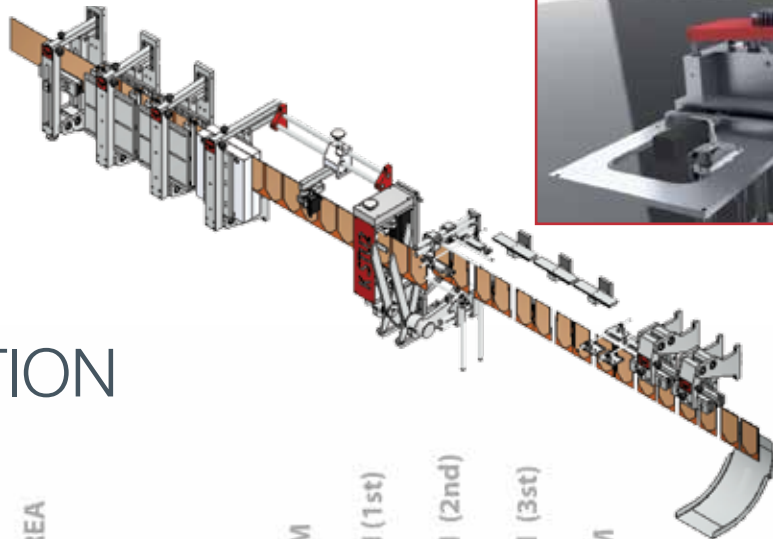
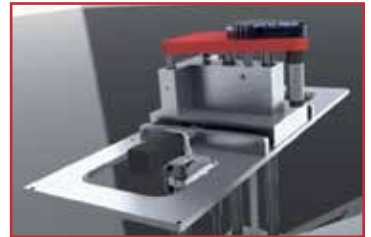
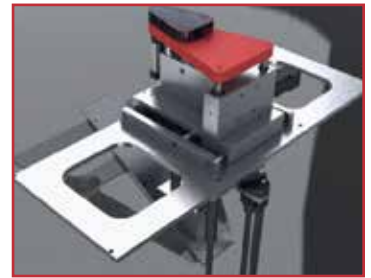
# Quadrousel



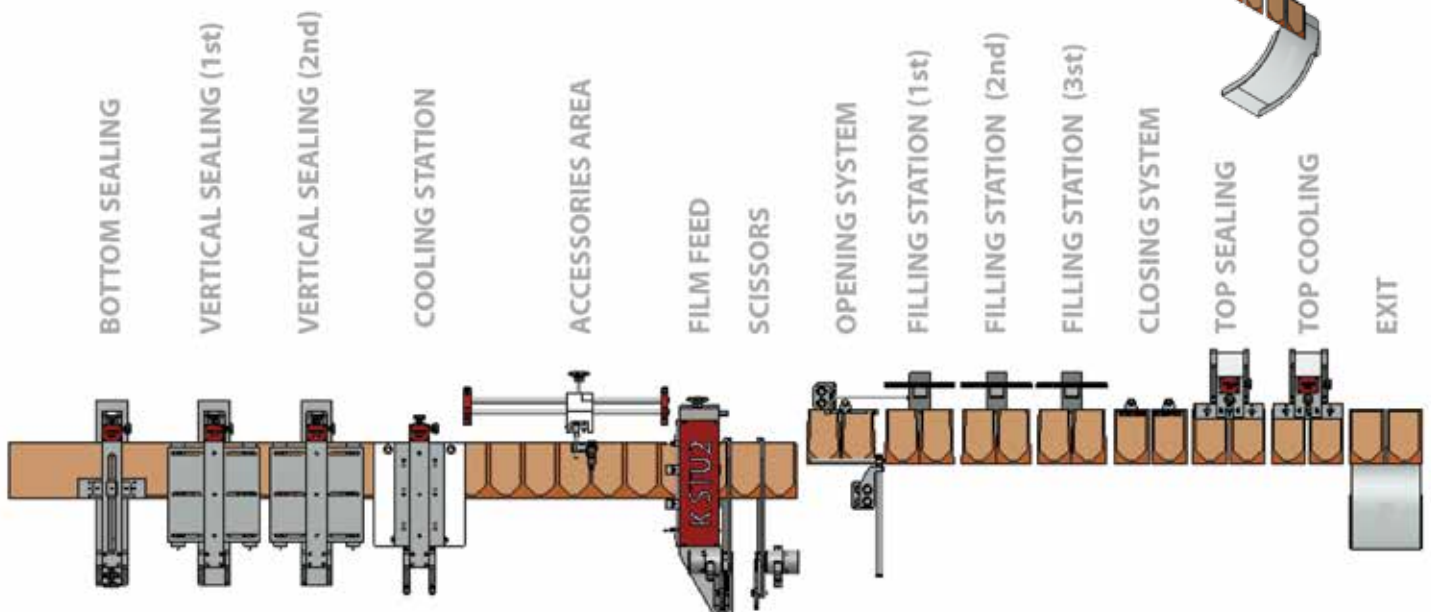
## UNWINDER

**Easy Reel Change** No need to thread film

**Servo Driven**



## MACHINE OPERATION



**Flexible Packaging Group**



We are a leading provider of high quality packaging equipment for flexible packaging applications and offer customers a complete flexible packaging equipment line.

Specifications and dimensions are subject to change without prior notice, due to continuous efforts made for product improvement.