



 **MATRIX**

ELETE PREMIER

SANITARY PACKAGING MACHINE

FL

FLEXIBLES

ELETE PREMIER

SANITARY PACKAGING MACHINE

The Matrix Elete Premier with a Sanitary Design offers More Options for Customers requiring a More Hygienic Approach to Packaging Machinery

This hygienic stainless-steel machine offers all the options of our Elete in a sanitary form. Fasteners, bearings, shafts and motors are all suitable for a washdown environment.

All welds ground and polished, free from cracks and pits, stud weld tie hooks and a welded drip pan all add to the Premier's comprehensive sanitary build.

Your team can be worry-free when using this packaging machine.



The Matrix Elete Premier effectively produces multiple bags sizes and types on a sanitary machine.

FEATURES & BENEFITS

- Automatic film tracking, registered film sensor, and print registration roller
- Stainless steel NEMA 4X electrical enclosure, frame, guarding and adjustable mounting feet
- Unwind film spindle and film tension adjustment
- Allen Bradley MicroLogix PLC with 10" color touch screen
- Danaher MicroStepping Motors for film pull and jaw motion control (servo optional for jaw)
- Electroless nickel plated aluminum rollers
- Drip pan and welded wire hooks

OPTIONS

- Mechanical or heated hole punch
- Flat bottom and gusset/tucker attachment
- Printer, labeler, valve applicators
- Gas flush
- Load shelf (for heavier bags)
- UL electrical system
- Vacuum belts
- Linear stager
- Power unwind

BAG STYLES



PILLOW BAG.



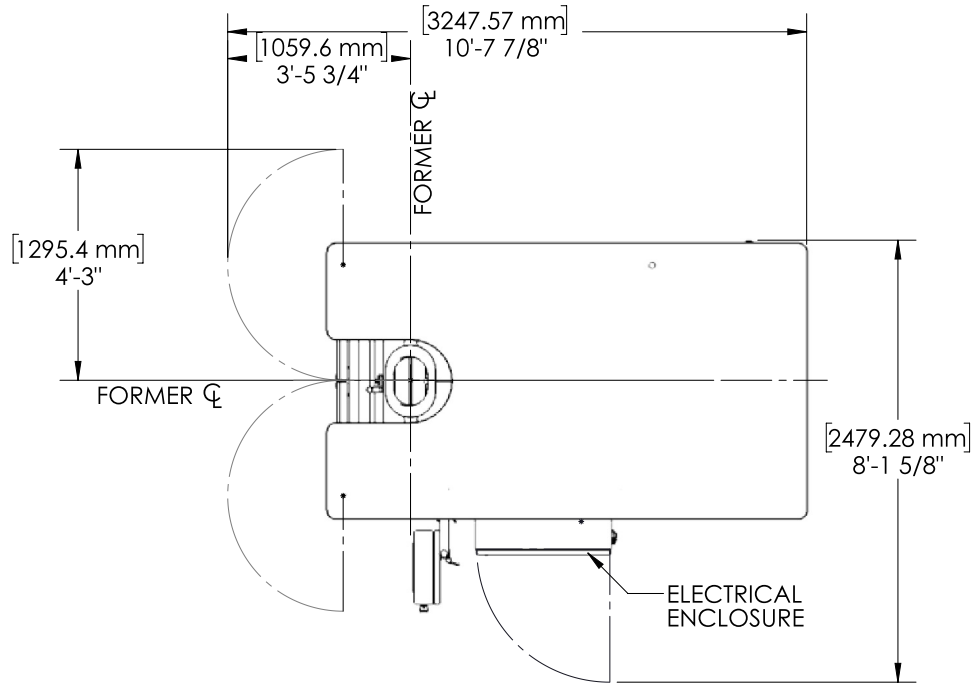
GUSSET BAG



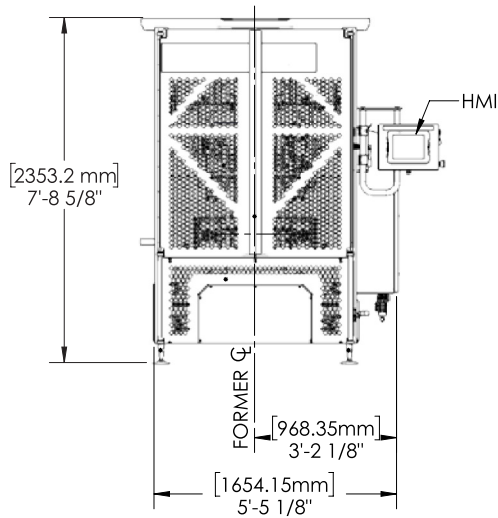
FLAT BOTTOM BAG

CONFIGURATION

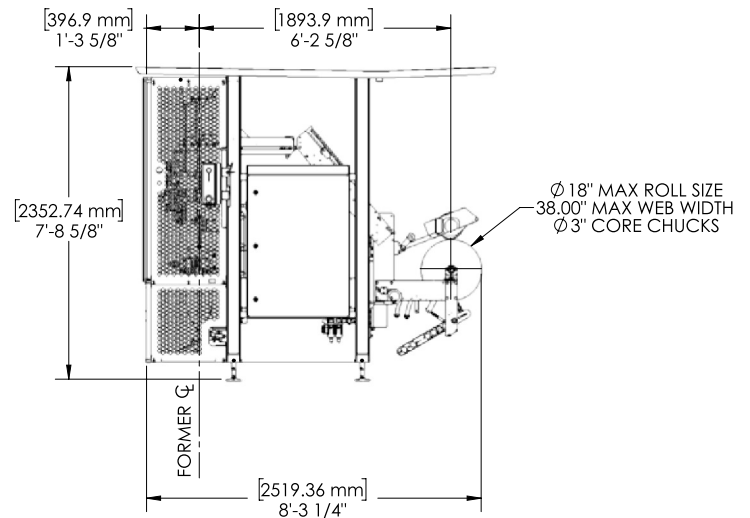
Top view



Front view



Side view



TYPICAL PRODUCT SPECIFICATIONS

Cycle Speed	Up to 130 BPM (depending on application)		
Electrical	208-240 VAC (+/- 5%) 30 AMP Single phase, 50/60 Hz		
Air Pressure	3-10 CFM @ 80 PSI (demand varies by application)		
Bag Sizes	Width	Length	
Minimum	3" (76 mm)	3" (76 mm)	
Bag Sizes	Width	Length	
Maximum	13" (330 mm) DS13 18" (457 mm) DS18	15" (381)* DS13 23" (584 mm)* DS18	
Film Roll (Std)	14" diameter (Elete DS13) 18" diameter (Elete DS18)		
Film	Laminate or poly film sealing capability		
Filler	Compatible with all types		

*Longer bags possible with multi-pull feature.



Matrix is an industry leading manufacturer of rugged, cost competitive, and easy-to-use vertical form fill seal (VFFS) equipment for all types of flexible packaging and operates as a master distributor of INV PACK stickpack and sachet machines, Toyo Jidoki pre-made pouch packaging machines, and FLtecnic's rollstock pouch machines. With over 30 years of flexible packaging expertise, Matrix has the ability, knowledge, and commitment to tailor highly efficient and profitable packaging systems for our customers on a global scale. Matrix is a product brand of ProMach, a global leader in packaging line solutions. As part of the ProMach Flexibles business line, Matrix helps our packaging customers protect and grow the reputation and trust of their consumers. ProMach is performance, and the proof is in every package. Learn more about Matrix at www.MatrixPM.com and more about ProMach at www.ProMachBuilt.com.

650 N Dekora Woods Blvd.

E: Matrix@ProMachBuilt.com

Saukville, WI 53080

MatrixPM.com

P: 262-268-8300

TOLL FREE: 888-Matrix1