



 **MATRIX**

ELETE™ QUAD

VERTICAL FORM/FILL/SEAL

FL

FLEXIBLES

ELETE™ QUAD

VERTICAL FORM/FILL/SEAL

The Matrix Elete Quad Machine is an Extremely Versatile Solution for Customers.

The Matrix Elete™ quad VFFS machine is a high-performance completely configurable solution for customers that need consistent reliability. Its rugged design provides outstandingly repeatability and it can deliver tremendous value with automatic film tracking, its stainless- steel frame and numerous customizable options. Not only can the Elete quad produce several different bag sizes, it can also create multiple package styles in addition to the quad such as pillow, gusset, and flat bottom.

The Elete can produce quad bags at up to 40 bpm. With several machine versions, you can choose which one makes the most sense for your packaging needs.



High performance Elete machine effectively produces multiple bag types and sizes on a single machine.

FEATURES & BENEFITS

- Stainless steel frame and NEMA 4X electrical enclosure
- Registered film sensor, print registration roller and automatic film tracking
- Allen Bradley MicroLogix PLC with 10" color touch screen
- Danaher MicroStepping motors for film pull and jaw motion control (servo optional jaw)
- Full compatibility with all types of fillers
- Quad Module which includes, 4 vertical sealer assemblies, adjustable vertical seal bar, flat bottom bag attachment, flat bottom bag load shelf for 15" bags

OPTIONS

- Gusset/tucker and flat bottom bag attachments
- Mechanical or heated hole punch
- Gas flush
- Load shelf for heavier bags
- UL electrical system
- Printer, labeler and valve applicators

BAG STYLES



FLAT BOTTOM BAG

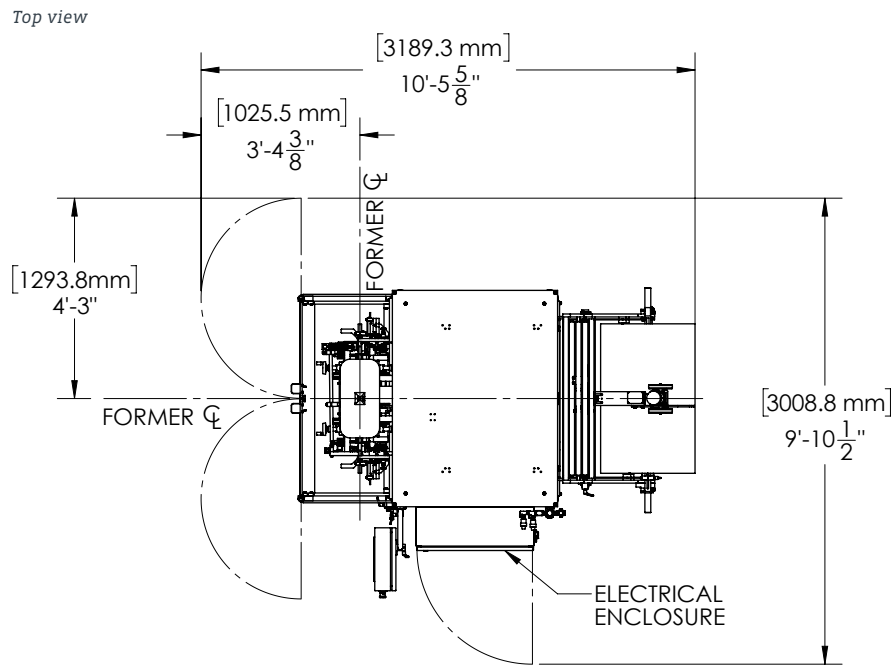


GUSSET BAG

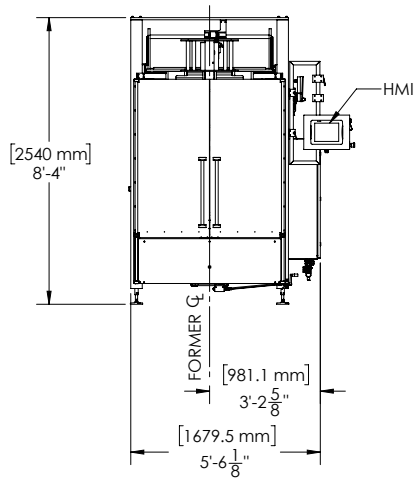


PILLOW BAG

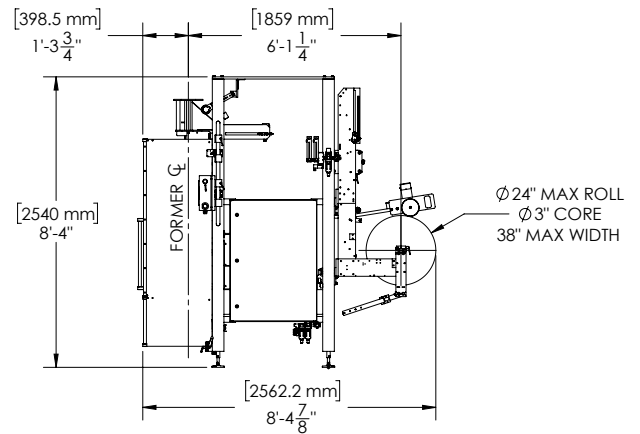
CONFIGURATION



Front view



Side view



TYPICAL PRODUCT SPECIFICATIONS

| | | | | |
|---------------------|--|---------------------------|----------------------------|--|
| Cycle Speed | Up to 40 BPM (depending on application) | | Maximum Flat Bottom | 8" wide x 5" deep x 15" long |
| Electrical | 208-240 VAC 30 AMP Single phase, 50/60 Hz | | Film Roll (Std) | 14" diameter |
| Air Pressure | 3-12 CFM @ 80 PSIG (demand varies by application) | | Film | Resistance laminate sealing capability |
| Bag Sizes | Width | Length | Filler | Compatible with all types |
| Minimum | 2.75" (70 mm) pillow | 2.5" (60 mm)* single pull | | |
| Maximum | 13" (330 mm) pillow | 15" (381 mm)* single pull | | |

*Longer bags possible with multi-pull feature or extended vertical seal.



Matrix is an industry leading manufacturer of rugged, cost competitive, and easy-to-use vertical form fill seal (VFFS) equipment for all types of flexible packaging and operates as a master distributor of INV PACK stickpack and sachet machines, Toyo Jidoki pre-made pouch packaging machines, and FLtecnic's rollstock pouch machines. With over 30 years of flexible packaging expertise, Matrix has the ability, knowledge, and commitment to tailor highly efficient and profitable packaging systems for our customers on a global scale. Matrix is a product brand of ProMach, a global leader in packaging line solutions. As part of the ProMach Flexibles business line, Matrix helps our packaging customers protect and grow the reputation and trust of their consumers. ProMach is performance, and the proof is in every package. Learn more about Matrix at www.MatrixPM.com and more about ProMach at www.ProMachBuilt.com.

650 N Dekora Woods Blvd.

E: Matrix@ProMachBuilt.com

Saukville, WI 53080

MatrixPM.com

P: 262-268-8300

TOLL FREE: 888-Matrix1