



SP6

MULTILANE STICKPACK

FL

FLEXIBLES

SP6

MULTILANE STICKPACK

Distributed by Matrix, the SP6 is a VFFS Multilane Stickpack Machine, with Versatile Pouches Options, it can Easily Match Your Packaging Needs.

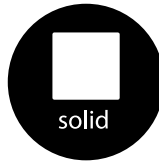
Equipped with an industrial PC, the touch screen and servomotorized activation, it allows controlling the basic parameters of the machine such as pressure, temperature, sealing time and length of the sachet, assuring high quality sealing.

The SP6 can operate with cadences of up to 70 cycles/min depending on the application.



Designed for medium to high production, it is ideal for dosing applications including liquids, pasty, granulated, powders and solids.

PRODUCTS



MARKETS

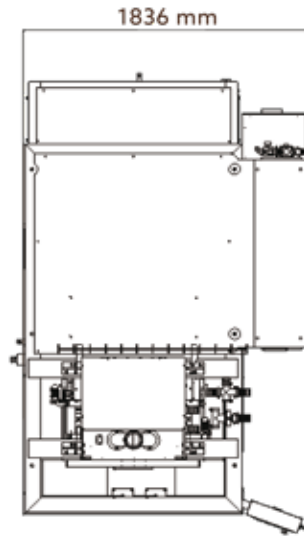


STICKPACK STYLES

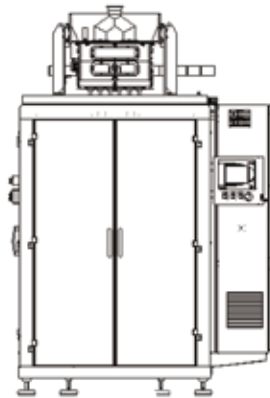


CONFIGURATION

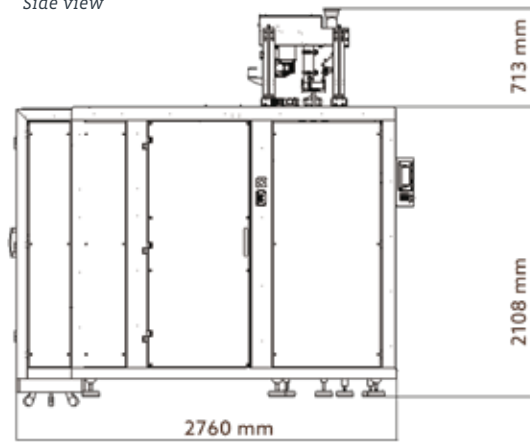
Top view



Front view



Side view



TYPICAL PRODUCT SPECIFICATIONS

	6 Lane	7 Lanes	8 Lanes	11 Lanes	12 Lanes	15 Lanes
Max. Width	45 mm	37 mm	30 mm	25 mm	20 mm	17 mm
Min. Width	17 mm					
Max. Length	200 mm					
Min. Length	60 mm					
Max. Reel Diameter	600 mm					
Max. Reel Width	600 mm					
Core	70/150 mm					
Output	420 Stickpack/min	490 Stickpack/min	560 Stickpack/min	700 Stickpack/min	840 Stickpack/min	1050 Stickpack/min
Weight	2.100 kg					
Noise	<70 dB					
Electrical Data	220 / 400 / 440 V AC - 3Ph +N+PE - 50 / 60 Hz					
Compressed Air	6 bar					



Matrix is an industry leading manufacturer of rugged, cost competitive, and easy-to-use vertical form fill seal (VFFS) equipment for all types of flexible packaging and operates as a master distributor of INV PACK stickpack and sachet machines, Toyo Jidoki pre-made pouch packaging machines, and FLtechnics rollstock pouch machines. With over 30 years of flexible packaging expertise, Matrix has the ability, knowledge, and commitment to tailor highly efficient and profitable packaging systems for our customers on a global scale. Matrix is a product brand of ProMach, a global leader in packaging line solutions. As part of the ProMach Flexibles business line, Matrix helps our packaging customers protect and grow the reputation and trust of their consumers. ProMach is performance, and the proof is in every package. Learn more about Matrix at www.MatrixPM.com and more about ProMach at www.ProMachBuilt.com.

650 N Dekora Woods Blvd.

E: Matrix@ProMachBuilt.com

Saukville, WI 53080

MatrixPM.com

P: 262-268-8300

TOLL FREE: 888-Matrix1