

MATRIX



powered by Pro Mach 

Matrix Packaging Machinery, a division of PRO MACH, is the leading manufacturer of vertical form-fill-seal machines in North America. Founded in 1988, Matrix has a reputation for building rugged, easy to use and maintain machines. The lowest cost of ownership combined with experienced sales, application, and service support allow for the most profitable machines in the industry. Matrix has established long term customers throughout the world, packaging a wide variety of products in very diverse conditions.

CONTACT information:

650 Dekora Woods Boulevard
Saukville, WI 53080
Toll free 888-Matrix1
Main Office 262-268-8300
info@matrixpm.com
sales@matrixpm.com
www.matrixpm.com

MADE IN THE USA



MATRIX X

"The MATRIX X TWIN is the fastest solution for high production rates in a size that fits where only one machine would"

STANDARD NO EXTRA COST FEATURES:

- Automatic film tracking
- Stainless steel frame
- Registered film sensor
- Print registration roller
- Easy open sides access
- 18" Maximum Roll Dia.
- Texture Painted NEMA 12 Electrical Enclosure
- OMROM CJ Series PLC
- 10" Color Touch Screen
- YASKAWA SIGMA IV motors for film pull and jaw motion control (optional microstepping available)
- Stainless steel adjustable mounting feet.

MATRIX

MATRIX X

Power requirement: 208-240VAC 40AMP
Three Phase 50/60Hz

Air requirement: 3-10 CFM @ 80 PSI (each side)
(demand varies by application)

Bag size: 2.75" to 7.5" (70mm to 254mm) Wide
2.5" to 15" (60mm to 380mm) Long (single pull)

Independent left and right side operation

Cycle speed up to 120 BPM (each side)(depending on application)

High performance for demanding production use

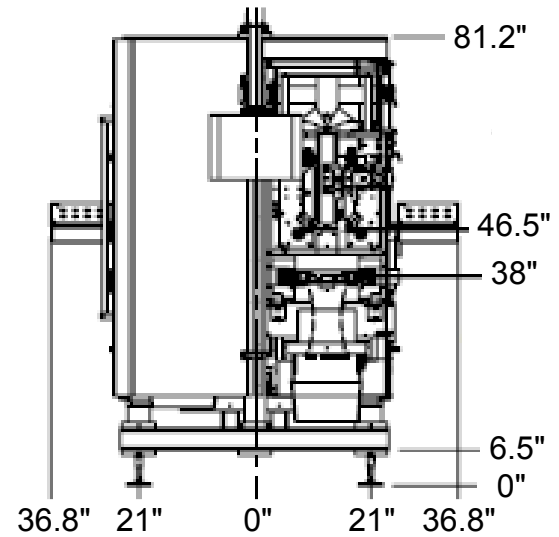
Laminate or poly film sealing capability

Full compatibility with all types of fillers

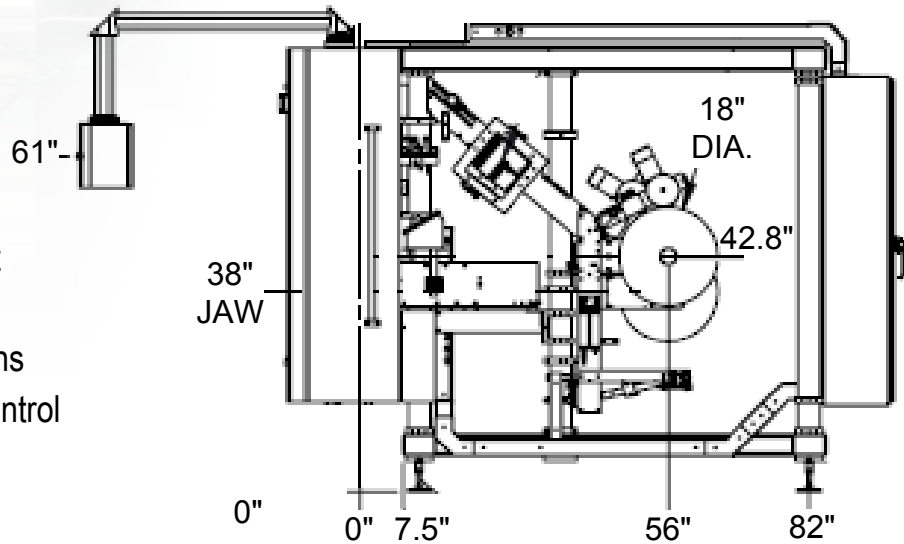
MANY available options including:

- Hole punch (mechanical or heated)
- Flat bottom and gusset/tucker attachment
- Printer, labeler, valve applicators
- Gas flushing system for M.A.P. applications
- Product accumulator buckets for batch control
- UL electrical system

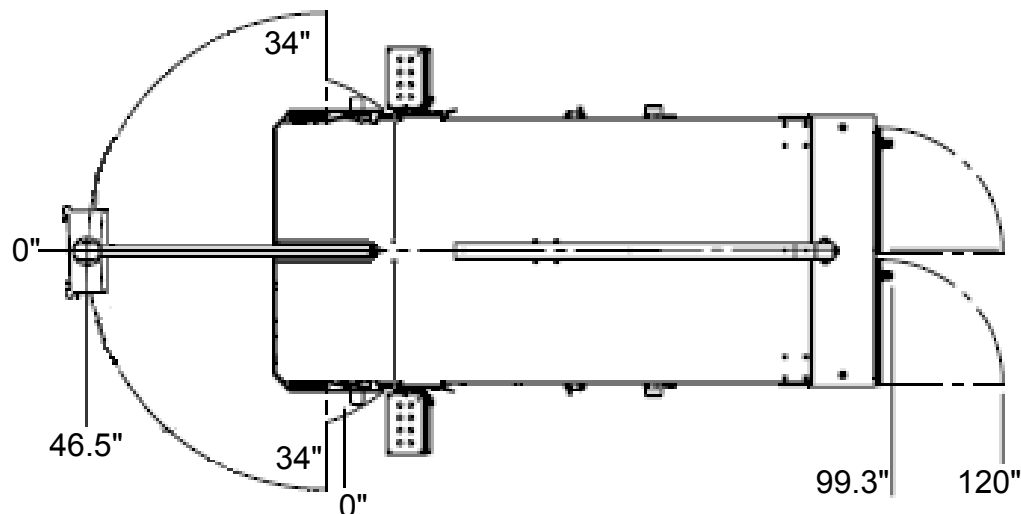
FRONT VIEW



SIDE VIEW



TOP VIEW



TYPICAL SYSTEM HEIGHTS

192" to top of
Combination Scale with
in-line metal detector

142" to top of
Auger with typical tooling
and top plate

136" to top of
Cup Filler Product Hopper
(infeed location)