



# MORPHEUS SERIES

VERTICAL FORM/FILL/SEAL

FL

FLEXIBLES

# THE MATRIX MORPHEUS

## Servo-Driven Continuous Box-Motion offers Exceptional Performance with the HMI you need

The Matrix Morpheus™ and Morpheus AB are servo-driven continuous box-motion baggers. Providing cutting-edge technology with a high-speed jaw system that allows for maximum dwell time on sealing. This delivers faster speeds and accuracy, with films like polyethylene, that normally require longer seal times.

The film is pulled while the jaw is closed as opposed to waiting until the jaw opens to pull film, gentle product handling occurs as the jaw is in the elevated position when product is dropped into the bag, minimizing drop distance. The jaw then lowers, pulling the film down with the movement to seal the top of the bag.



*The Matrix Morpheus offers the state-of-the-art Beckhoff or Allen Bradley HMI control systems delivering a highly intuitive, and easy to use packaging machine.*

### FEATURES & BENEFITS

- Servo-driven continuous box-motion jaw for maximum speed and jaw dwell time
- AutoPro™ Servo Adjustment System
- High performance vacuum film pull-belts (improves performance with difficult films)
- 12" multi-touch HMI with 800 x 600 screen resolution
- Electronic film registration mark, pneumatic film roll brake, automatic tracking
- Comprehensive self-diagnostic tools
- Stainless steel 3 NEMA 4X electrical enclosure, 304 frame grounded & polished "sanitary" and adjustable mounting feet or optional casters

### OPTIONS

- Mechanical or heated hole punch
- Thermal transfer printer and encoder
- Poly jaw system
- Gas flush
- Side gusset (top and bottom)
- Load shelf (intermittent)
- UL 508A
- Beckhoff or Allen Bradley controls
- Power unwind
- Sanitary
- Flat bottom bags

### BAG STYLES



PILLOW BAG

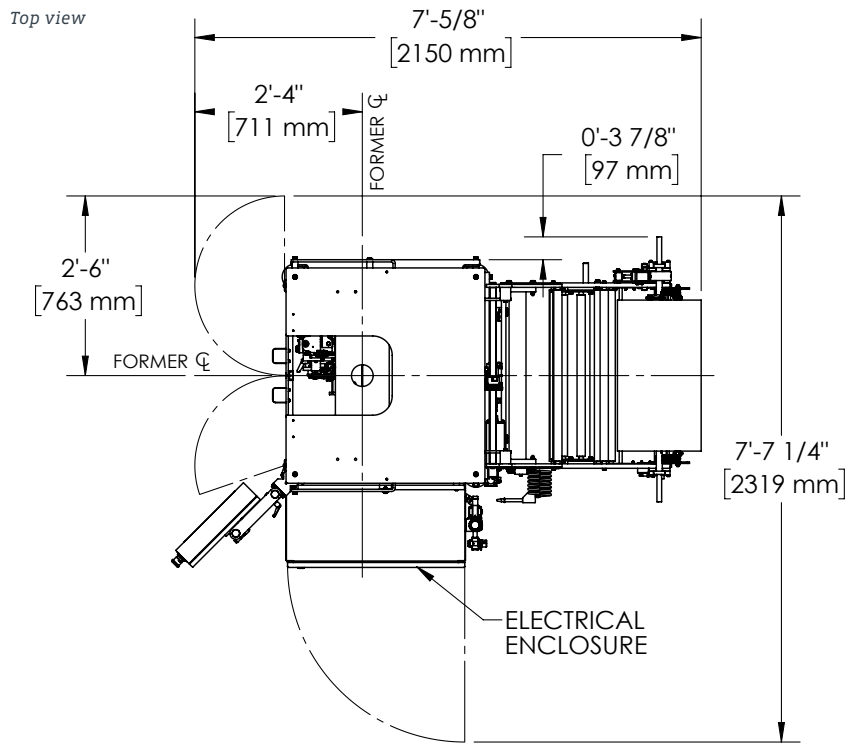


GUSSET BAG

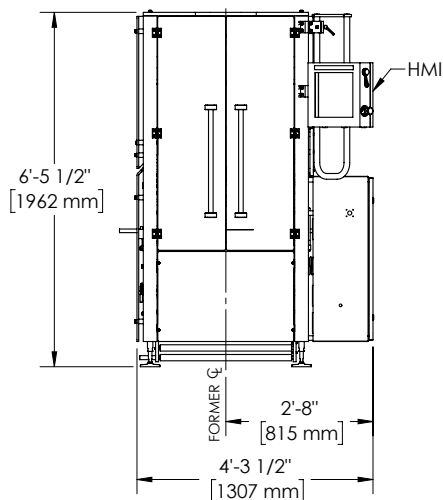


FLAT BOTTOM BAG

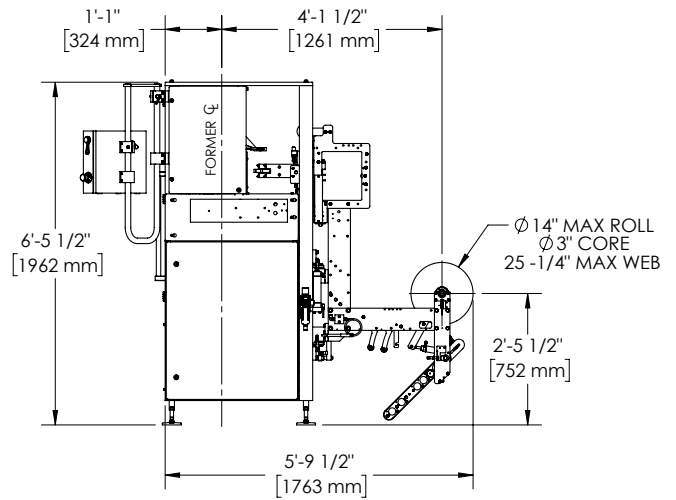
## CONFIGURATION



Front view



Side view



## TYPICAL PRODUCT SPECIFICATIONS

<b>Cycle Speed</b>	Up to 200 BPM (depending on application)	
<b>Electrical</b>	230V (+/- 5%) 30 AMP Single phase, 50/60 Hz	
<b>Air Pressure</b>	10 CFM @ 80 PSIG (+/-20%) (demand varies by application)	
<b>Bag Sizes</b>	<b>Width</b>	<b>Length</b>
<b>Minimum</b>	2.75" (70 mm)	2.75" (70 mm)

<b>Bag Sizes</b>	<b>Width</b>	<b>Length</b>
<b>Maximum</b>	12" (305 mm)	15" (381 mm)*
<b>Film Roll (Std)</b>	14" diameter	
<b>Film</b>	Laminate or poly film sealing capability	
<b>Filler</b>	Compatible with all types	

\*Longer bags possible with multi-pull feature.



Matrix is an industry leading manufacturer of rugged, cost competitive, and easy-to-use vertical form fill seal (VFFS) equipment for all types of flexible packaging and operates as a master distributor of INV PACK stickpack and sachet machines, Toyo Jidoki pre-made pouch packaging machines, and FLtecnic's rollstock pouch machines. With over 30 years of flexible packaging expertise, Matrix has the ability, knowledge, and commitment to tailor highly efficient and profitable packaging systems for our customers on a global scale. Matrix is a product brand of ProMach, a global leader in packaging line solutions. As part of the ProMach Flexibles business line, Matrix helps our packaging customers protect and grow the reputation and trust of their consumers. ProMach is performance, and the proof is in every package. Learn more about Matrix at [www.MatrixPM.com](http://www.MatrixPM.com) and more about ProMach at [www.ProMachBuilt.com](http://www.ProMachBuilt.com).

650 N Dekora Woods Blvd.

E: [Matrix@ProMachBuilt.com](mailto:Matrix@ProMachBuilt.com)

Saukville, WI 53080

[MatrixPM.com](http://MatrixPM.com)

P: 262-268-8300

TOLL FREE: 888-Matrix1