

MATRIX



powered by Pro Mach 

Matrix Packaging Machinery, a division of PRO MACH, is the leading manufacturer of vertical form-fill-seal machines in North America. Founded in 1988, Matrix has a reputation for building rugged, easy to use and maintain machines. The lowest cost of ownership combined with experienced sales, application, and service support allow for the most profitable machines in the industry. Matrix has established long term customers throughout the world, packaging a wide variety of products in very diverse conditions.

CONTACT information:
650 Dekora Woods Boulevard
Saukville, WI 53080
Toll free 888-Matrix1
Main Office 262-268-8300
info@matrixpm.com
sales@matrixpm.com
www.matrixpm.com

MADE IN THE USA



PRO SERIES

"The PRO SERIES are reliable legacy machine designs that have proven themselves in a thousand applications world – wide"

STANDARD NO EXTRA COST FEATURES:

- Automatic film tracking
- Stainless steel frame
- Registered film sensor
- Print registration roller
- Unwind film spindle
- 14" maximum roll diameter
- Stainless steel NEMA 4X electrical enclosure
- Allen Bradley MicroLogix PLC
- 7" color touch screen
- Bodine gearmotors for film pull with SMC pneumatics for jaw control
- Stainless steel adjustable mounting feet.

MATRIX

PRO SERIES

Power requirement: 208-240VAC 20AMP
Three Phase 50/60Hz

Air requirement: 8-23 CFM @ 80 PSI
(demand varies by application)

Bag size: 1.75" to 11" (44mm to 279mm) Wide
2.5" to 15" (60mm to 390mm) Long (single pull)

Cycle speed up to 105 BPM (depending on application)

Proven quality designs at a reasonable cost

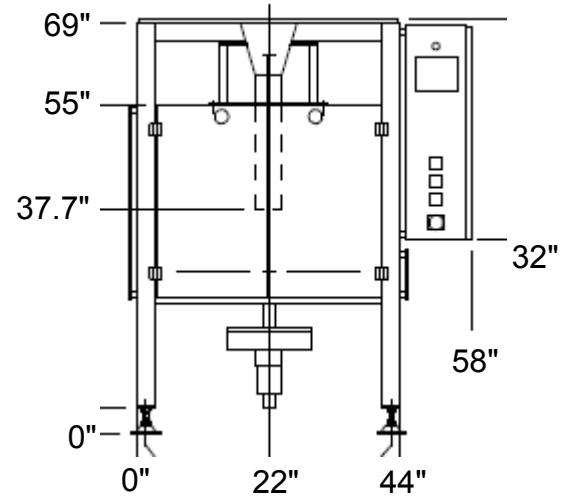
Laminate or poly film sealing capability

Full compatibility with all types of fillers

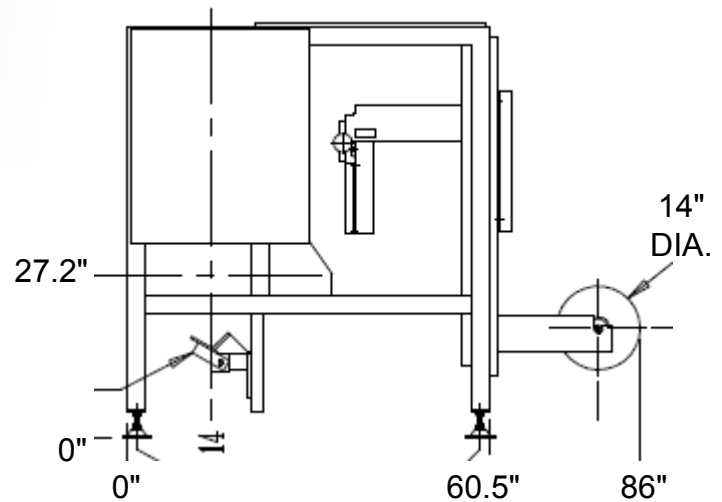
MANY available options including:

- Hole punch (mechanical or heated)
- Flat bottom and gusset/tucker attachment
- Printer, labeler, valve applicators
- Gas flushing system for M.A.P. applications
- Load shelf for heavier bags (several types)
- UL electrical system

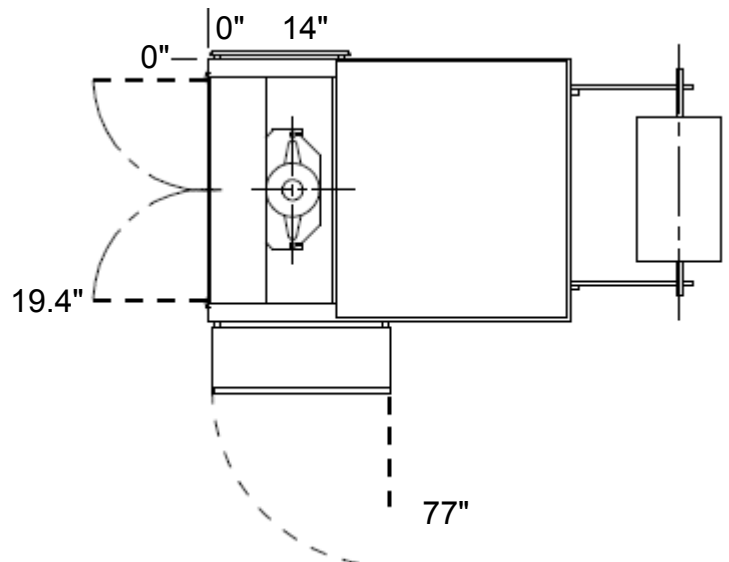
FRONT VIEW



SIDE VIEW



TOP VIEW



TYPICAL SYSTEM HEIGHTS

183"
to top of
Combination Scale with in-line metal detector

120"
to top of
Auger with typical tooling and top plate

127"
to top of
Cup Filler Product Hopper (infeed location)