

TT-8D-R



Pre-made Pouch
Filler/Sealer



Pro Mach Flexible
Packaging Group

650 Dekora Woods Blvd.
Saukville, WI 53080

(888) 628-7491
(262) 268-8300

Info@ProMachFlexible.com
www.ProMachFlexible.com

FEATURES & BENEFITS

- Widely flexible for various pouch formats and product types.
- Designed for safe and sanitary operation.
- Easy cleaning, wash down design.
- Simple, intuitive operation and maintenance using touch screen controls.
- Pouch size handling capability made wider than our model TT-8CR.

Conveyor Magazine

If flat type pouches, possible to load more than 600 pouches. Also with the flexibility to comply with pouches press-to-close.



Pouch Opening & Filling

With a certain pouch opening with vacuum cups and mechanically gripping the pouch, the product will be positively filled into the pouch.



Liquid Filling Pump

The pump is installed out of the frame making the cleaning easy.



powered by Pro Mach

TT-8D-R



MACHINE SPECIFICATIONS

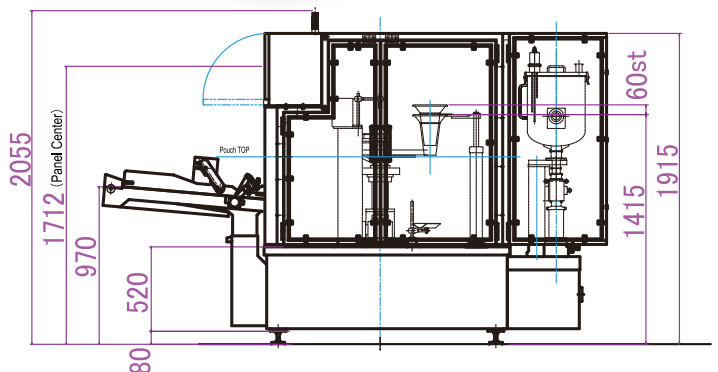
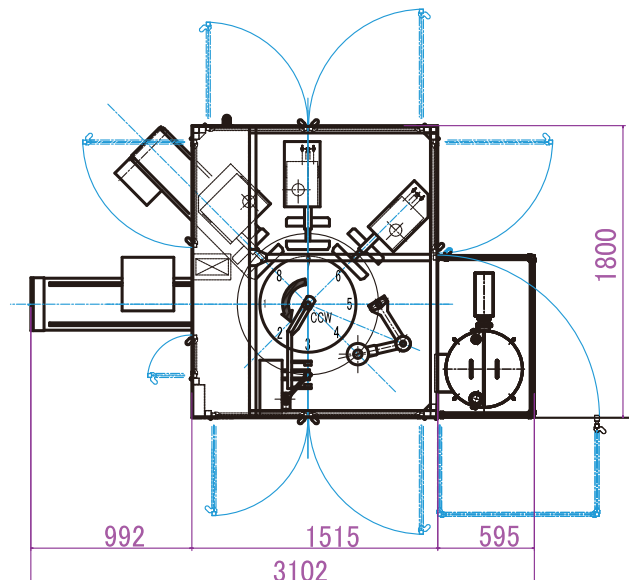
Pre-made Pouch Filler/Sealer

Capacity	15- 40 pouches/min./max. (Depending on product)	
Pouch Size	<ul style="list-style-type: none"> • Width 120 -260 mm (80 - 220 mm) • Length 130 - 400 mm 	
Pouch Material	Various laminated pouches	
Pouch Style	<ul style="list-style-type: none"> • Flat • Stand-up • Press-to-close (options needed) 	
Sealing Method	2 heat seal and 1 cooling station	
Electric Power	3.75 KVA	
Air Consumption	0.5 MPa (72 psi), 350 - 450 NI/min. (Depending on machine spec)	
Machine Dimensions	3,102 (W) x 1,800 (L) x 2,055 (H) mm	
Machine Weight	1,800 kg	
Accessories	<ul style="list-style-type: none"> • Product feeding hopper • Product discharge conveyor 	<ul style="list-style-type: none"> • Product counter • Pouch opening detection device • Heater disconnection alarm
Options	<ul style="list-style-type: none"> • Date printer • Air squeeze device • Tapping • Stand-up pouch bottom opening device • N2 gas flush device 	<ul style="list-style-type: none"> • Zip open-close device • Fill pause mode • Seal area cleaning • Pouch recycle • Double pouch detection • Various filling devices • Pouch pick-up position detection • Product in-seal detection • Various liquid filling devices • Compressor

APPLICATIONS

- Shelf stable food
- Delicatessen
- Frozen foods
- Pre-cooked rice
- Juice
- Seafood
- Liquid detergent
- Many others!

MACHINE DIMENSIONS



Specifications and dimensions are subject to change without prior notice, due to continuous efforts made for product improvement.