



BY3

MULTILANE STICKPACK PHARMA

FL

FLEXIBLES

# BY3

MULTILANE STICKPACK PHARMA

Distributed by Matrix, the BY3 is a VFFS Multilane Stickpack Machine Specifically Designed for the Pharmaceutical Industry.

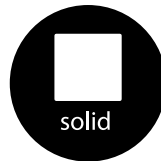
INV PACK machines for the pharma sector comply with GMP regulations and are designed and built under the strictest manufacturing standards.

As pharma documentation, INV PACK can supply the DQ, IQ and OQ documentation, as well as the functional analysis of the machine or other type of documentation that the customer may need. In addition, our service technicians can assist the customer during the execution of the IQ and OQ.



*The versatile design of the BY3 allows its use for multiple products such as dosing powders, granulates, solids, liquids and pasty products.*

## PRODUCTS



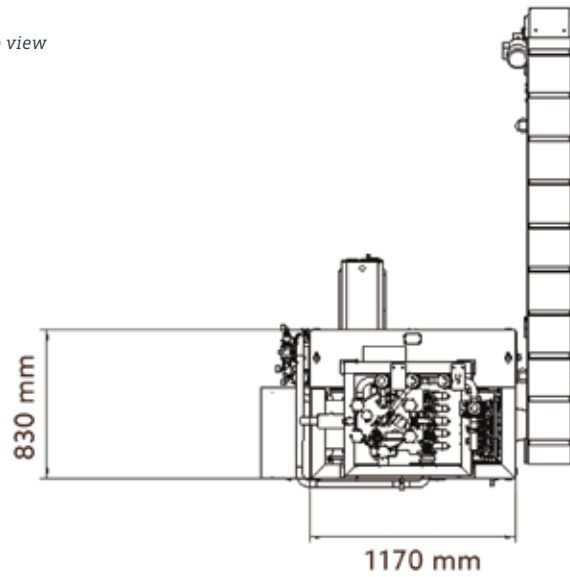
## MARKETS

## POUCH STYLES

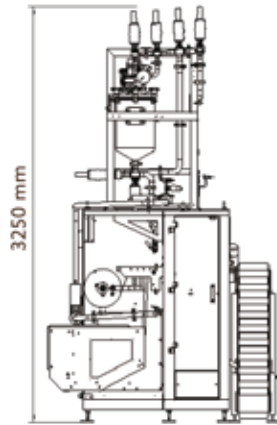


## CONFIGURATION

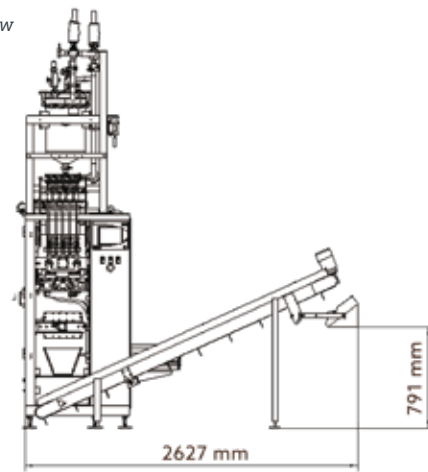
Top view



Front view



Side view



## TYPICAL PRODUCT SPECIFICATIONS

	1 Lane	2 Lanes	3 Lanes	4 Lanes	5 Lanes	7 Lanes
Max. Width	120 mm	70 mm	37 mm	30 mm	25 mm	17 mm
Min. Width	17 mm					
Max. Length	160 mm					
Min. Length	30 mm					
Max. Reel Diameter	300 mm					
Max. Reel Width	300 mm					
Core	70/75 mm					
Output	70 Stickpack/min	140 Stickpack/min	210 Stickpack/min	280 Stickpack/min	350 Stickpack/min	490 Stickpack/min
Weight	550 kg					
Noise	<70 dB					
Electrical Data	220 / 400 / 440 V AC - 3Ph +N+PE - 50 / 60 Hz					
Compressed Air	6 bar					



Matrix is an industry leading manufacturer of rugged, cost competitive, and easy-to-use vertical form fill seal (VFFS) equipment for all types of flexible packaging and operates as a master distributor of INV PACK stickpack and sachet machines, Toyo Jidoki pre-made pouch packaging machines, and FLtechnics rollstock pouch machines. With over 30 years of flexible packaging expertise, Matrix has the ability, knowledge, and commitment to tailor highly efficient and profitable packaging systems for our customers on a global scale. Matrix is a product brand of ProMach, a global leader in packaging line solutions. As part of the ProMach Flexibles business line, Matrix helps our packaging customers protect and grow the reputation and trust of their consumers. ProMach is performance, and the proof is in every package. Learn more about Matrix at [www.MatrixPM.com](http://www.MatrixPM.com) and more about ProMach at [www.ProMachBuilt.com](http://www.ProMachBuilt.com).

650 N Dekora Woods Blvd.

E: [Matrix@ProMachBuilt.com](mailto:Matrix@ProMachBuilt.com)

Saukville, WI 53080

[MatrixPM.com](http://MatrixPM.com)

P: 262-268-8300

TOLL FREE: 888-Matrix1